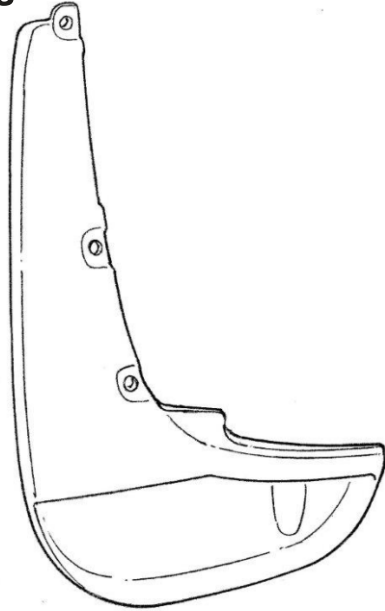


NOTE: EARLY MODELS REQUIRE INSTRUCTION SHEET 1
NEWER MODELS REQUIRE INSTRUCTION SHEET 2



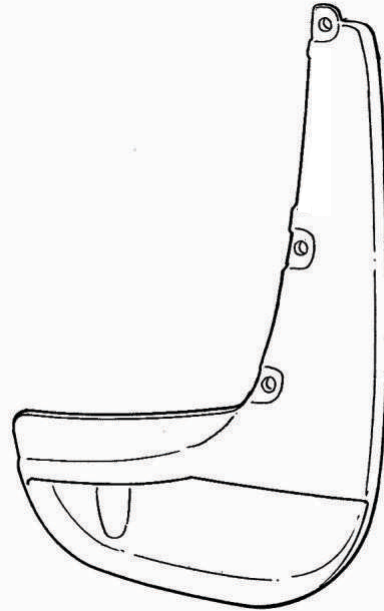
JEEP RENEGADE Rear Splashguards

RearRight



A

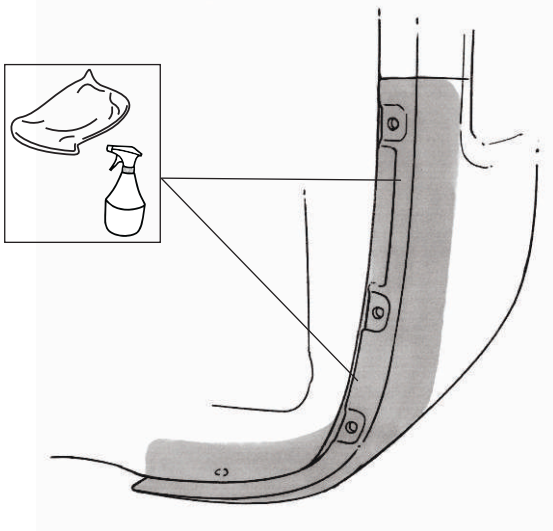
RearLeft



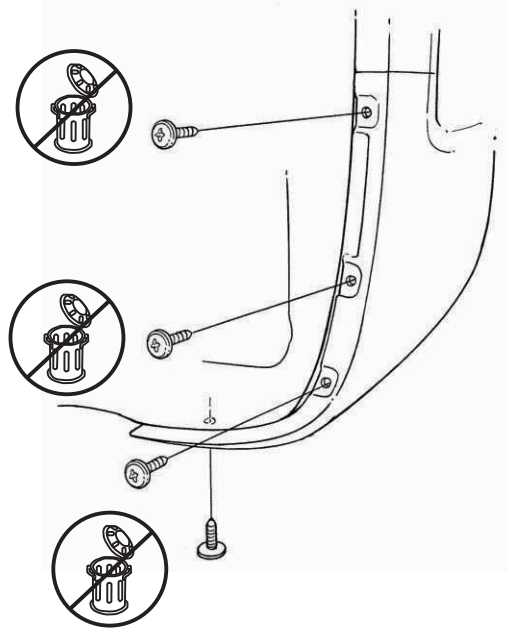
B



- Remove rear tire for drilling access, follow owners manual procedure

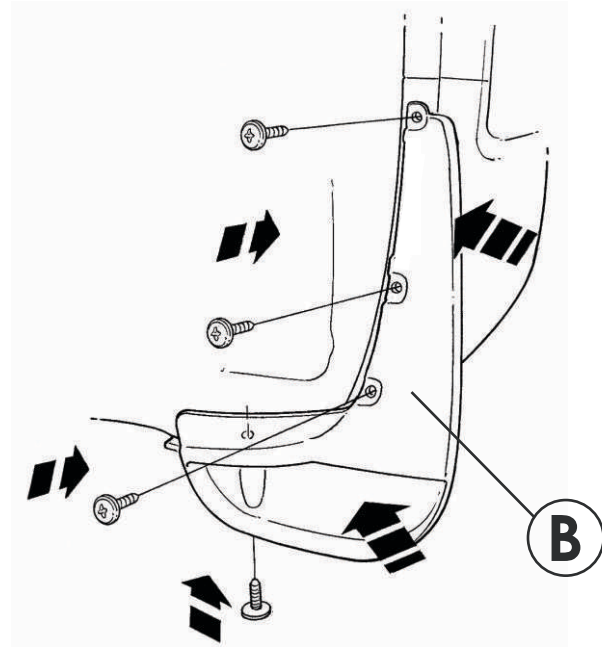


1



2

Torque: 3.8-4.4Nm (34~39 in lb)



- Reinstall rear tire, follow owners manual procedure

3

- GB** NOTE: Repeat steps 1-3 on the other side
- E** NOTA: Repita estos pasos 1-3 en otro lado
- F** NOTE: Répétez les étapes 1-3 pour l'autre côté
- G** ANMERKUNG: Wiederhole Schritte 1-3 auf der piher Seite
- I** NOTA: Ripetere i passaggi da 1 a 3 su lato

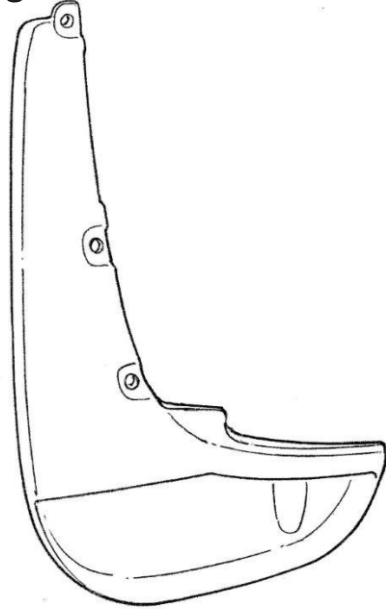
4

NOTE: NEWER MODELS REQUIRE THIS INSTRUCTION SHEET



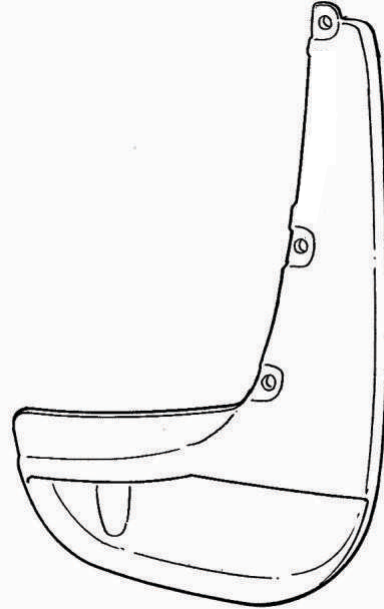
JEEP RENEGADE Rear Splashguards

Rear Right



A

Rear Left



B

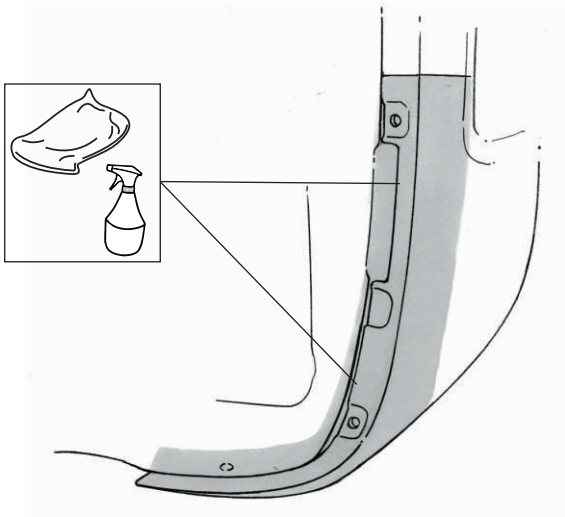
C 2X



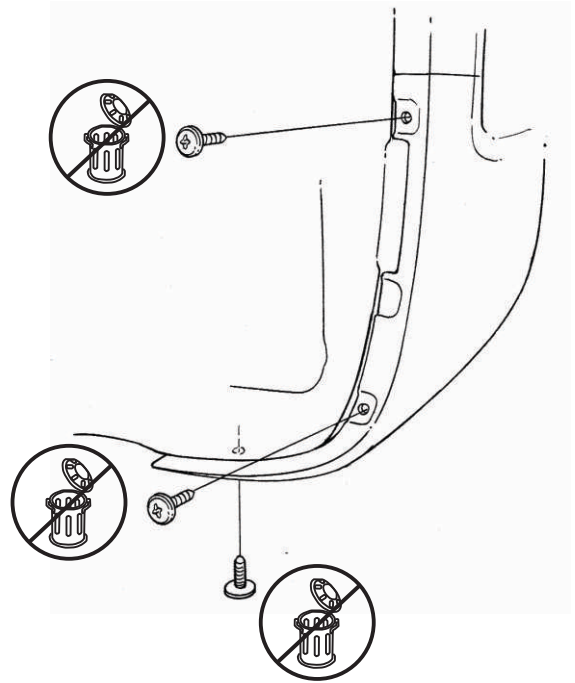
5/16 (8.0 mm)



- Remove rear tire for drilling access, follow owners manual procedure

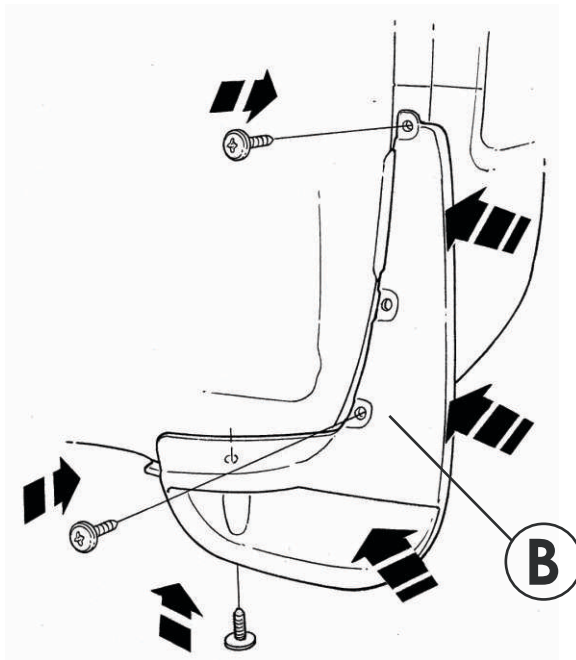


1

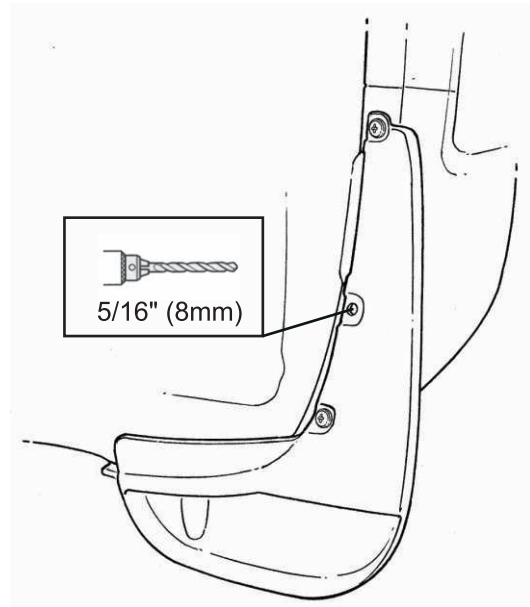


2

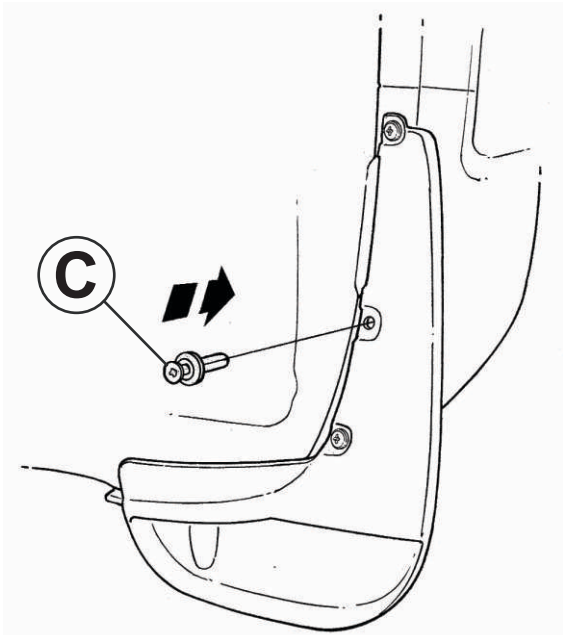
Torque: 3.8-4.4Nm (34~39 in lb)



3



4



• Reinstall rear tire, follow owners manual procedure

5

GB NOTE: Repeat steps 1-5 on the other side

E NOTA: Repita estos pasos 1-5 en otro lado

F NOTE: Répétez les étapes 1-5 pour l'autre côté

G ANMERKUNG: Wiederhole Schritte 1-5 auf der piher Seite

I NOTA: Ripetere i passaggi da 1 a 5 su lato

6

3

4